

## 气缸端盖 & 附件

PNEUMATIC CYLINDER MOUNTING PARTS

## 关于我们

如果你看我们的标志，你会发现它是由两个相互环绕的形状组成的。它的意思是制造与创新相互配合。正如 BANGYE 商标所示，我们希望能与我们的客户进行更好的沟通与合作，让我们在共同的行业中走向辉煌。

我们是压铸行业领先的制造商，特别是在自动化和汽车配件领域。其中超过90%以上的生产工艺均是由我们自己完成的，这是我们与其他供应商不同的地方。我们有超过20年的OEM经验，使我们在代工领域起着重要作用。我们的生产能力，综合服务以及丰富的经验使我们成为您的最佳选择。



## ABOUT US

If you take a look at our logo, you will find that it is composed of two abstract shapes interacting with each other. It means cooperation as well as two strength: Manufacture and Innovation. Just like the meaning of our logo, we hope we can better cooperate with our customers and can step into a better platform together.

We are a leading manufacturer of die casting, especially in the field of automation and automobile. Above 90% of the production procedures are done by ourselves, which makes us different from the other suppliers. With more than 20 years of OEM experiences, we play a leading role in this area. Our production capacity, comprehensive services as well as abundant experience enable us to be your best choice.



成立时间：2017年

注册资本：6000万元

年度销售额：1.25亿人民币

员工数量：220-280

地址：中国浙江



在2020年12月从上海搬迁至浙江嘉兴

Founded: 2017

Registered Capital:

60 million RMB

Annual Sales:

18 Million USD

No. Employees:

220-280

Location:

Zhejiang China



We are Shanghai Bangye Pneumatic And Hydraulic Components Co.,Ltd which has established since 2002. Our company moved from Shanghai to Pinghu in December 2020.

# PRODUCTS CATALOGUE

## 产品目录

**ISO15552 Series Covers and Accessories** DNG 和 DNC 系列端盖与附件 P 1-13

**ISO21287 Series Covers and Accessories** ADN 系列端盖与附件 P 14-16

**ISO6430 Series Covers and Accessories** SC 系列端盖与附件 P17-26

**JIS Series Covers and Accessories** MB 和 CA2 系列端盖与附件 P27-32

**ISO6432 Series Covers and Accessories** MI 和 MIC 系列端盖与附件 P33-36

**MBL Series Covers and Accessories** MAL 列端盖与附件 P37-39

**Rod End Accessories** 活塞杆端附件 P40-43

# CYLINDER COVERS MOUNTING PARTS

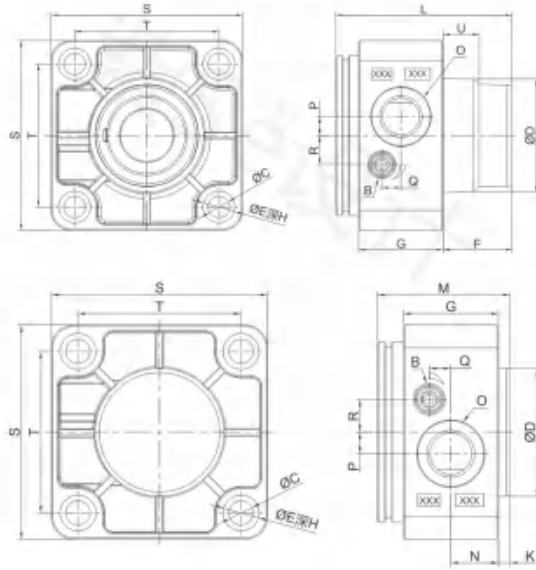
## PART

## ISO15552 Series

主要  
产品

- 气缸端盖
- 气缸附件

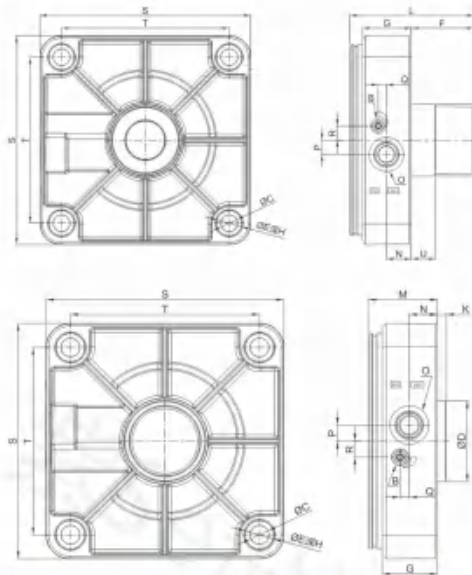
DNG 32-100 Cylinder Cover  
气缸端盖



Material: ADC12 Die Casting  
材质: ADC12 铝压铸

Φ[MM]	S	T	C	E	H	L	N	F	P	R	O	Q	ØD	M	G	B	U	K
32	47	32.5	6.5	9.5	22.5	52	13	19	5.5	6	G 1/8	6.5	30	36	27	M6*0.75	9.5	3
40	53	38	6.5	9.5	22.5	58.5	15.5	21	6	8.5	G 1/4	7.5	35	40.5	31	M6*0.75	11	3.5
50	65	46.5	8.5	12.5	22.5	66.5	15.5	27	7.5	8.5	G 1/4	6.5	40	43	31	M6*0.75	11	3.5
63	75	56.5	8.5	12.5	23	69	16.5	27	7.5	11.5	G 3/8	7.5	45	46	33	M6*0.75	14	4
80	95	72	10.5	15.5	26	81.5	18	33	9	13.5	G 3/8	7.5	45	52.5	36	M6*0.75	16	4
100	115	89	10.5	15.5	26	85	18.5	36	9.5	13.5	G 1/2	8.5	55	53	37	M6*0.75	18.5	4

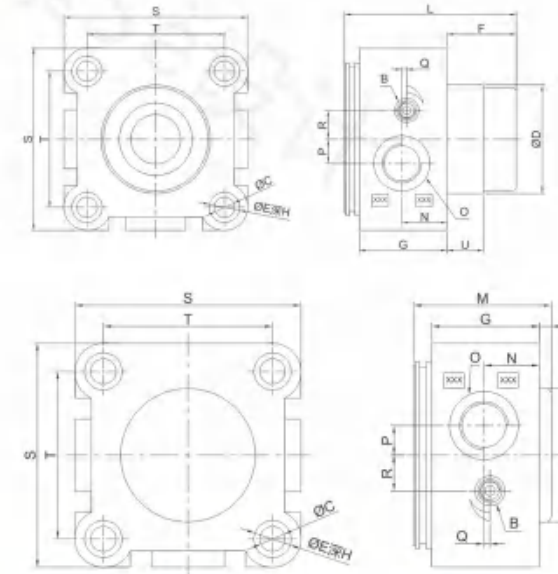
DNG 125-320 Cylinder Cover  
气缸端盖



Material: ADC12 Die Casting  
材质: ADC12 铝压铸

Φ[MM]	S	T	C	E	H	L	N	F	P	R	O	Q	ØD	M	G	B	U	K
125	140	110.5	12.3	22.5	32.5	100.5	26.5	40	10	20	G 1/2	5	60	66.5	45.2	M10*1	10	6
160	180	140	16.5	26	36	120	25.5	55	15	15	G 3/4	7	65	71	50	M10*1	10	6
200	220	175	16.5	26	36	128	25.5	65	15	15	G 3/4	8.5	75	71	50	M10*1	25	8
250	270	220	20.5	32.5	40	150	30	75	25	25	G 1	10	90	83	60	M14*1.5	25	8
320	350	270	24.5	37	45	170	30	90	35	35	G 1	15	110	90	65	M14*1.5	25	10

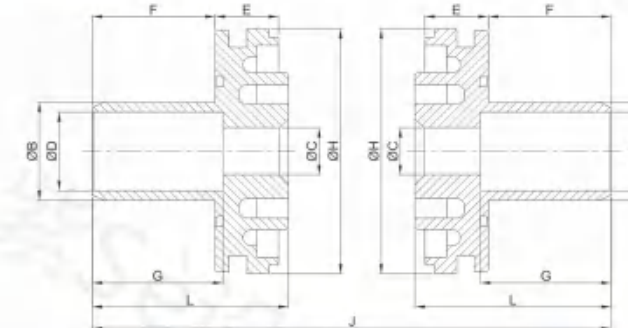
DNC 20-125 Cylinder Cover  
气缸端盖



Material: ADC12 Die Casting  
材质: ADC12 铝压铸  
Note: φ20-25 are not ISO15552 standard.  
备注: φ20-25 非ISO15552 标准

Φ[MM]	S	T	C	E	H	L	U	N	F	P	R	O	Q	ØD	M	G	B	K
20	31.5	22	4.5	7	15.5	39	/	8	13	2	5	M5	7	22	29	20	M3	3
25	38.5	26	5.5	8.5	18.5	46	/	9	15	3	5	G 1/8	9	26	34	25	M3	3
32	45.5	32.5	6.5	9.5	22.5	51	10	12.5	18	5.5	7.2	G 1/8	5.5	30	37	25.1	M6*0.75	4
40	51.5	38	6.5	9.5	22.5	59	10.5	14.5	22	6	7.5	G 1/4	6.5	35	41.5	29.6	M6*0.75	4
50	64.5	46.5	8.5	12.5	22.5	67.5	11.5	14.5	28	8.5	8.5	G 1/4	4.5	40	43.5	29.6	M6*0.75	4
63	75.5	56.5	8.5	12.5	23	70.5	15	18.5	28.5	10	12	G 3/8	2	45	46	35.6	M6*0.75	4
80	93.5	72	10.5	15.5	26	83.2	15.7	18	34.7	12.7	8	G 3/8	1	45	52.5	35.9	M6*0.75	4
100	111.5	89	10.5	15.5	26	87.2	19.2	20	38.2	11.8	10	G 1/2	4	55	53	38.8	M6*0.75	4
125	134.5	110	12.5	19	31	106	22.5	18	46	8	13	G 1/2	14	60	66	45	M10*1	6

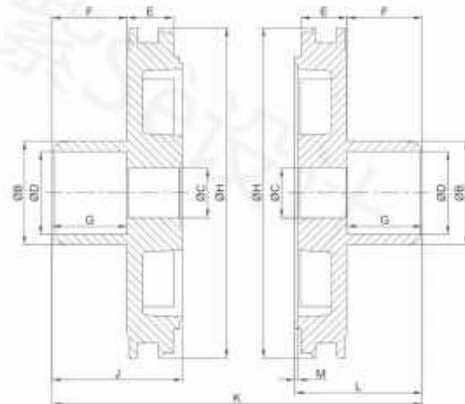
DNG/DNC 20-100 Cylinder Piston  
气缸活塞



Material: ADC12 Die Casting  
材质: ADC12 铝压铸  
Note: φ20-25 are not ISO15552 standard.  
备注: φ20-25 非ISO15552 标准

Φ[MM]	ØB	ØC	ØD	E	F	G	J	L	ØH
20	10	5	8	9	15	16	52	26	19.5
25	12	6	10	10	20	22	64	32	24.5
32	16	8	12	11.5	25	29	78	39	31.5
40	20	10	16	12.5	26	28	82	41	39
50	25	12	20	10.9	30.5	30.5	88	44	49
63	25	12	20	16	31	33	99	49.5	62.4
80	30	16	25	15.5	40	40	111	55.5	79
100	30	16	25	17.5	41	41	122	61	99

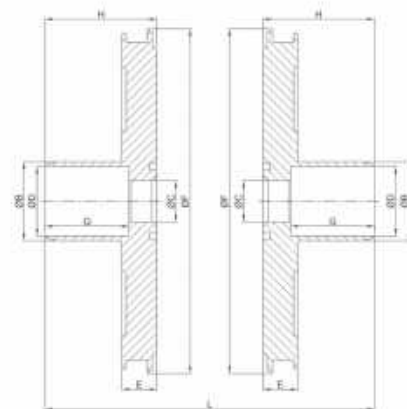
DNG/DNC 125-200 Cylinder Piston  
气缸活塞



Material: ADC12 Die Casting  
材质: ADC12 铝压铸

Φ[MM]	BB	BC	BD	E	F	G	ØH	J	K	L	M
125	40	16	32	16.5	35	39	124.5	56.5	109	54.5	2
160	50	24	40	22	36	36	159.5	62.5	122	61	1.5
200	50	24	40	24	55	55	199	83.5	164	82	1.5

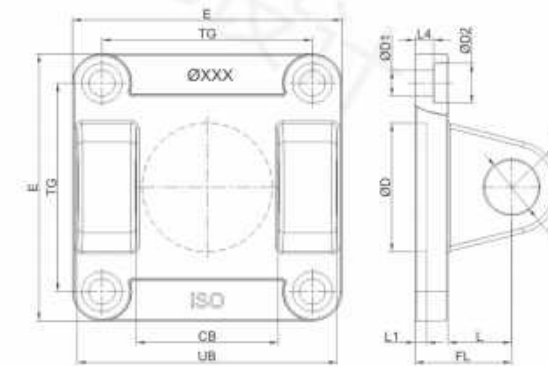
DNG 250-320 Cylinder Piston  
气缸活塞



Material: ADC12 Die Casting  
材质: ADC12 铝压铸

Φ[MM]	BB	BC	BD	E	ØF	G	H	L
250	57	30	50	25	249.5	60	80	160
320	78	36	63	30	319.5	60	90	180

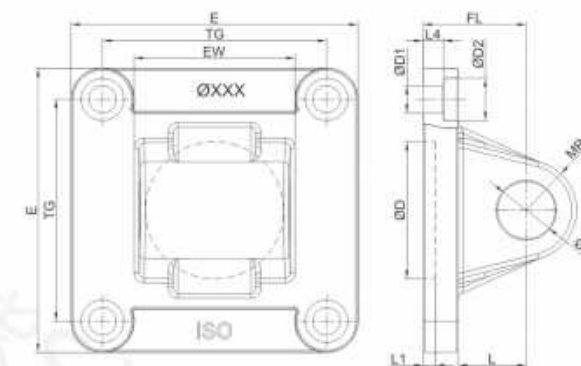
DNG 32-100 CB Female Clevis  
双耳座



Material: ADC12 Die Casting  
材质: ADC12 铝压铸  
With 2 bushes 装含油轴承

Φ[MM]	E	TG	CB	UB	FL	L	φD1	L4	φD2	φD	MR	φCD	L1
32	47	32.5	26	46.5	22	12.5	6.5	5.5	11	30	10	10	5
40	53	38	28	52	25	16	6.5	5.5	11	35	12	12	5
50	65	46.5	32	60	27	16	9	6.5	15	40	12	12	5
63	75	56.5	40	70	32	21	9	6.5	15	45	16	16	5
80	95	72	50	90	36	22	11	10	17	45	16	16	5
100	115	89	60	110	41	27	11	10	17	55	20	20	5

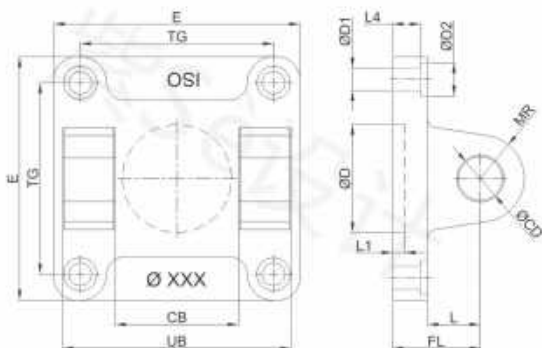
DNG 32-100 CA Male Clevis  
单耳座



Material: ADC12 Die Casting  
材质: ADC12 铝压铸  
With 2 bushes 装含油轴承

Φ[MM]	E	TG	EW	FL	L	L4	φD1	φD2	MR	φCD	L1	φD
32	47	32.5	26	22	12.5	5.5	6.5	11	10	10	5	30
40	53	38	28	25	16	5.5	6.5	11	12	12	5	35
50	65	46.5	32	27	16	6.5	9	14	12	12	5	40
63	75	56.5	40	32	21	6.5	9	14	15.5	16	5	45
80	95	72	50	36	22	10	11	17	16	16	5	45
100	115	89	60	41	27	10	11	17	20	20	5	55

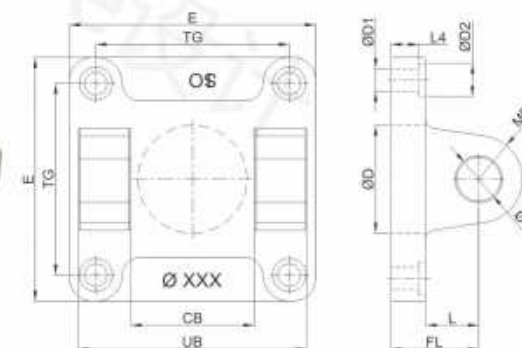
**DNG 125-200 CB Female Clevis**  
双耳座



Material: ADC12 Die Casting  
材质: ADC12 铝压铸  
With 2 bushes 装含油轴承

Φ[MM]	TG	E	CB	UB	L4	L	ØD1	ØD2	ØD	ØCD	L1	FL	MR
125	110	140	70	130	10	30	14	20	60	25	7	50	25
160	140	180	90	169	10	35	18	26	65	30	8	55	25
200	175	220	90	169	11	35	18	26	75	30	10	60	25

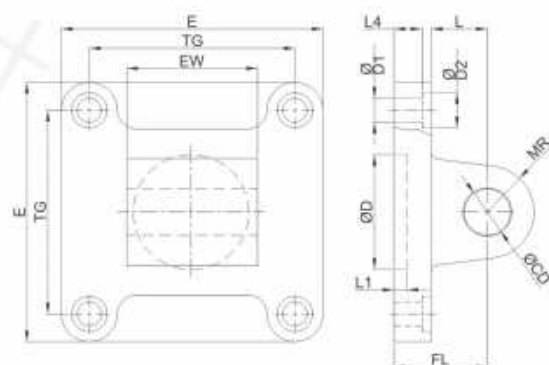
**DNG 250-320 CB Female Clevis**  
双耳座



Material: A356 Alu Low pressure Casting  
材质: A356 低压铸造  
With 2 bushes 装含油轴承

Φ[MM]	TG	E	CB	UB	L	L4	ØD1	ØD2	ØD	ØCD	FL	MR
250	220	270	110	200	45	17	21	32	90	40	70	41
320	270	350	120	220	50	22	25	37	110	45	80	46

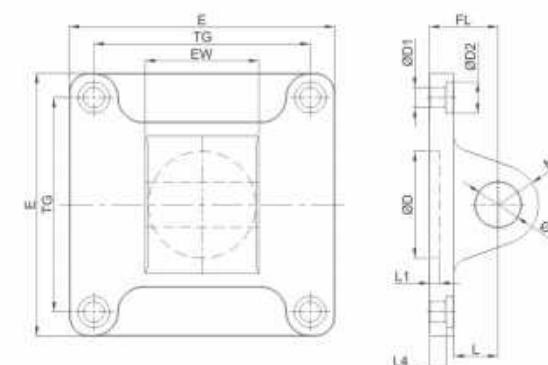
**DNG 125-200 CA Male Clevis**  
单耳座



Material: ADC12 Die Casting  
材质: ADC12 铝压铸  
With 2 bushes 装含油轴承

Φ[MM]	TG	E	EW	L4	L	ØD1	ØD2	ØD	ØCD	FL	L1	MR
125	110	140	70	10	30	14	20	60	25	50	7	25
160	140	180	90	10	35	18	26	65	30	55	8	25
200	175	220	90	11	35	18	26	75	30	60	10	25

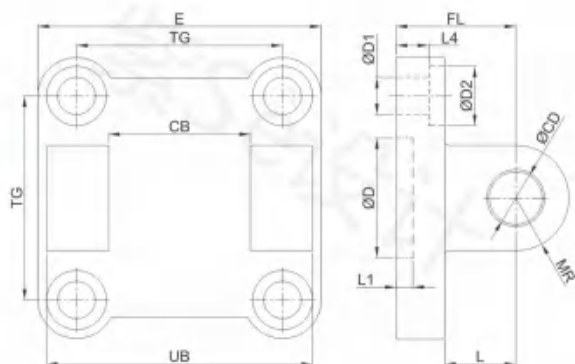
**DNG 250-320 CA Male Clevis**  
单耳座



Material: A356 Alu Low pressure Casting  
材质: A356 低压铸造  
With 2 bushes 装含油轴承

Φ[MM]	TG	E	EW	L	L4	ØD1	ØD2	ØD	ØCD	FL	L1	MR
250	220	270	110	45	17	21	32	90	40	70	11	41
320	270	350	120	50	22	25	37	110	45	80	11	45

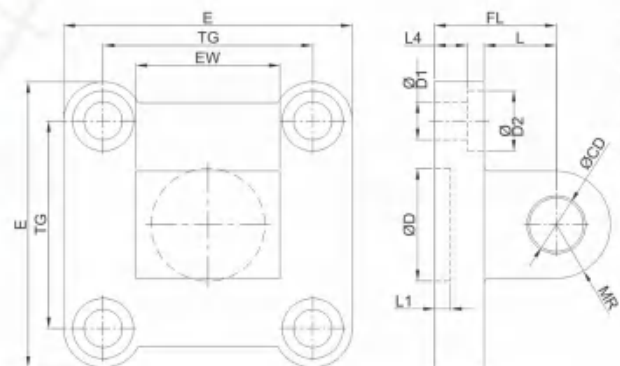
DNC 32-100 CB Female Clevis  
双耳座



Material: ADC12 Die Casting  
材质: ADC12 铝压铸

Φ[MM]	CB	UB	TG	E	L	ΦD1	ΦD2	L4	ΦD	ΦCD	L1	MR	FL
32	26	45	32.5	45	13	6.5	10.5	6	30	10	5	10	22
40	28	52	38	54	14	6.5	10.5	6	35	12	5	12	25
50	32	60	46.5	64	16	8.5	13.5	8	40	12	5	12	27
63	40	70	56.5	75	21	8.5	13.5	8	45	16	5	16	32
80	50	90	72	93	22	10.5	16.5	11	45	16	5	16	36
100	60	110	89	111.5	27	10.5	16.5	11	55	20	5	20	41

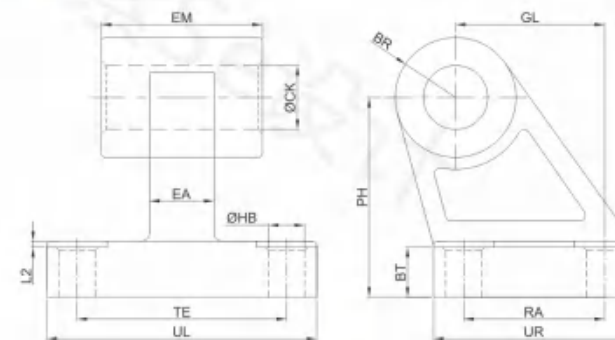
DNC 20-100 CA Male Clevis  
单耳座



Material: ADC12 Die Casting  
材质: ADC12 铝压铸  
Note: φ20-25 are not ISO15552 standard.  
备注: φ20-25 非ISO15552 标准

Φ[MM]	E	TG	EW	L	ΦD1	ΦD2	L4	FL	ΦD	ΦCD	L1	MR
20	31.5	22	16	12	4.5	7.5	4.5	20	22	8	3.5	7.5
25	38.5	26	16	12	5.5	9.5	5	20	26	8	3.5	8
32	45	32.5	26	13	6.5	10.5	6	22	30	10	5	10
40	51.3	38	28	14	6.5	10.5	6	25	35	12	5	12
50	64	46.5	32	16	8.5	13.5	8	27	40	12	5	12
63	75	56.5	40	21	8.5	13.5	8	32	45	16	5	16
80	93	72	50	22	10.5	16.5	11	36	45	16	5	16
100	111.5	89	60	27	10.5	16.5	11	41	55	20	5	20

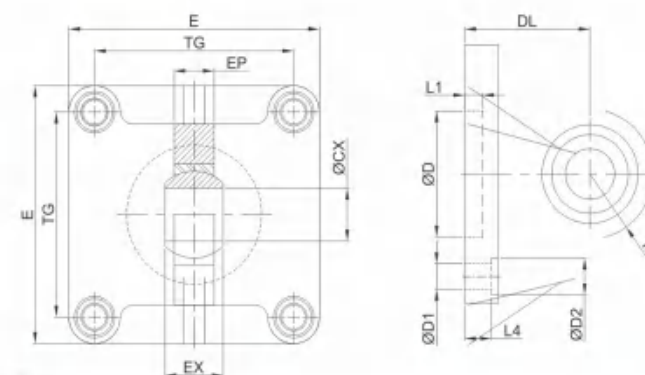
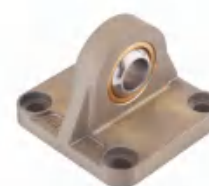
LNG 32-200 Square Hinge  
直角耳座



Material: ADC12 Die Casting  
材质: ADC12 铝压铸  
Note: With 2 bushes are available  
可选择装 2 个含油轴承

Φ[MM]	BR	BT	CK(Φ)	EM	GL	HB(Φ)	L2	PH	RA	TE	UL	UR	EA
32	10	8	10	26	21	6.6	1.6	32	18	38	51	31	10
40	11	10	12	28	24	6.6	1.6	36	22	41	54	35	15
50	13	12	12	32	33	9	1.6	45	30	50	65	45	16
63	15	14	16	40	37	9	1.6	50	35	52	67	50	16
80	15	14	16	50	47	11	2.5	63	40	66	86	60	20
100	19	17	20	60	55	11	2.5	71	50	76	96	70	20
125	22	20	25	70	70	14	3	90	60	94	124	90	30
160	31	25	30	90	97	14	4	115	88	118	156	126	36
200	31	30	30	90	105	18	4	135	90	122	162	130	40

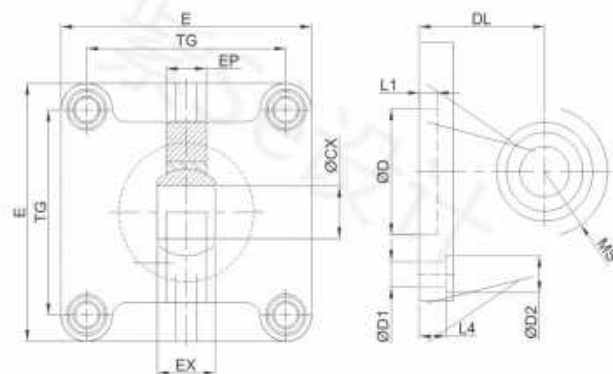
SNCS 32-200 Male Hinge With Ball Joint  
关节单耳



Material: ADC12 Die Casting  
本体材质: ADC12 铝压铸  
Bearing Material: Steel  
轴承材质: 碳钢

Φ[MM]	CX(Φ)	D(Φ)	D1(Φ)	D2(Φ)	DL	E	EP	EX	L1	L4	MS	TG
32	10	30	6.5	10.5	22	45	10.5	14	5	5.5	16	32.5
40	12	35	6.5	10.5	25	52	12	16	5	5.5	18	38
50	16	40	9	15	27	65	15	21	5	6.5	21	46.5
63	16	45	9	15	32	75	15	21	5	6.5	23	56.5
80	20	45	11	18	36	95	18	25	5	10	28	72
100	20	55	11	18	41	115	18	25	5	10	30	89
125	30	62	13	20	50	140	25	37	7	10	40	110
160	35	65	18	26	55	180	28	43	7	10	45	140
200	35	75	18	26	60	220	28	43	8	11	48	175

**SNCSS 32-100 Male Hinge With Ball Joint**  
 不锈钢关节单耳

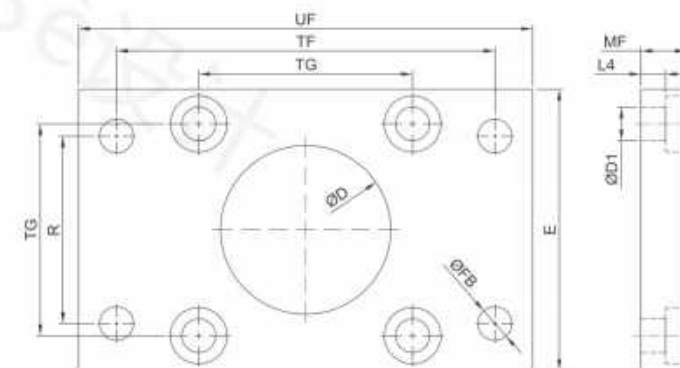


Material: 304 Stainless steel casting  
 铸件材质: 304 不锈钢  
 Bearing Material: 304 Stainless steel  
 轴承材质: 不锈钢

Φ[MM]	CX(Φ)	D(Φ)	D1(Φ)	D2(Φ)	DL	E	EP	EX	L1	L4	MS	TG
32	10	30	6.5	10.5	22	45	10.5	14	5	5.5	16	32.5
40	12	35	6.5	10.5	25	52	12	16	5	5.5	18	38
50	16	40	9	15	27	65	15	21	5	6.5	21	46.5
63	16	45	9	15	32	75	15	21	5	6.5	23	56.5
80	20	45	11	18	36	95	18	25	5	10	28	72
100	20	55	11	18	41	115	18	25	5	10	30	89

**DNG 32-200 FA/FB Flange**  
 法兰板

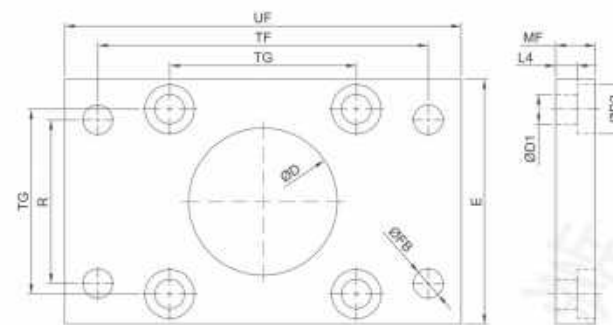
Material: ADC12 Die Casting  
 材质: ADC12 铝压铸



Φ[MM]	32	40	50	63	80	100	125	160	200
D(Ø)	30	35	40	45	45	55	60	65	75
D1(Ø)	6.5	6.5	9	9	11	11	13	17	17
D2(Ø)	10.5	11	15	15	18	18	19	25	25
E	45	52	65	75	95	115	140	180	220
FB(Ø)	7	9	9	9	12	14	16	18	22
L4	5	5	6.5	6.5	9	9	10.5	9.5	12.5
MF	10	10	12	12	16	16	20	20	25
R	32	36	45	50	63	75	90	115	135
TF	64	72	90	100	126	150	180	230	270
TG	32.5	38	46.5	56.5	72	89	110	140	175
UF	80	90	110	120	150	170	205	260	300

**DNG 32-320 FA/FB Flange**  
 法兰板

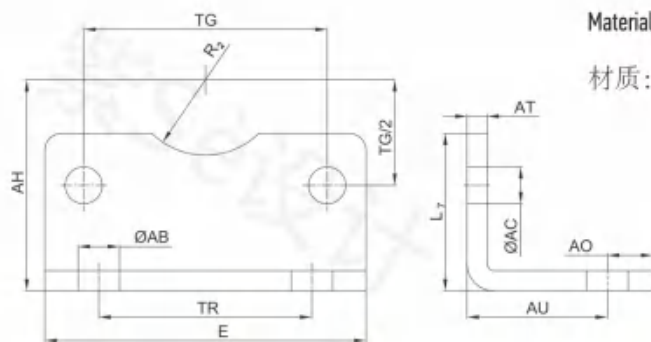
Material: Steel with Zinc Plating  
 材质: 45 号钢镀锌



Φ[MM]	32	40	50	63	80	100	125	160	200	250	320
D(Ø)	30	35	40	45	45	55	60	65	75	90	110
D1(Ø)	6.5	6.5	9	9	11	11	13	17	17	21	25
D2(Ø)	10.5	11	15	15	18	18	19	25	25	31	37
E	45	52	65	75	95	115	140	180	220	270	340
FB(Ø)	7	9	9	9	12	14	16	18	22	26	33
L4	5	5	6.5	6.5	8	8	10.5	9.5	12.5	10.5	15
MF	10	10	12	12	16	16	20	20	25	25	30
R	32	36	45	50	63	75	90	115	135	165	200
TF	64	72	90	100	126	150	180	230	270	330	400
TG	32.5	38	46.5	56.5	72	89	110	140	175	220	270
UF	80	90	110	120	150	170	220	280	320	390	470



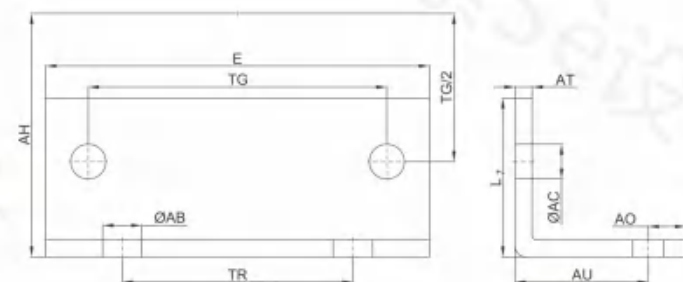
DNG 32-100 LB Foot Mounting  
脚架



Material: Steel with Zinc Plating  
材质: A3 钢镀锌

Φ[MM]	TG	TR	TG/2	ØAB	AH	E	AT	L7	ØAC	AO	AU	R2
32	32.5	32	16.25	7	32	45	4	30	7	11	24	15
40	38	36	19	10	36	52	4	30	7	8	28	17.5
50	46.5	45	23.25	10	45	65	5	36	9	15	32	20
63	56.5	50	28.25	10	50	75	5	35	9	13	32	22.5
80	72	63	36	12	63	95	6	47	11	14	41	22.5
100	89	75	44.5	14.5	71	115	6	53	11	16	41	27.5

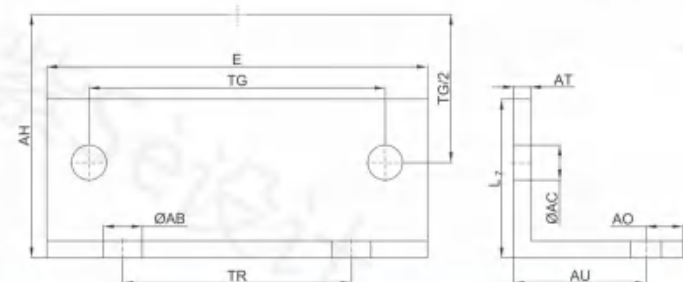
DNG 125-200 LB Foot Mounting  
脚架



Material: Steel with Zinc Plating  
材质: A3 钢镀锌

Φ[MM]	TG	ØAB	TR	E	AT	ØAC	L7	AU	AO	AH	TG/2
125	110	16	90	140	8	12.5	55	45	20	90	55
160	140	18	115	180	8	16.5	75	60	20	115	70
200	175	22	135	220	9	16.5	90	70	30	135	87.5

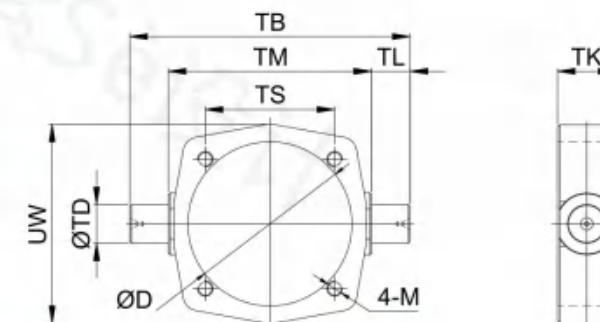
DNG 250-320 LB Foot Mounting  
脚架



Material: Steel with Zinc Plating  
材质: 45# 钢镀锌

Φ[MM]	TG	ØAB	TR	E	AT	ØAC	L7	AU	AO	AH	TG/2
250	220	28	165	270	20	21	110	75	35	165	110
320	270	35	200	350	23	24.5	100	85	40	185	135

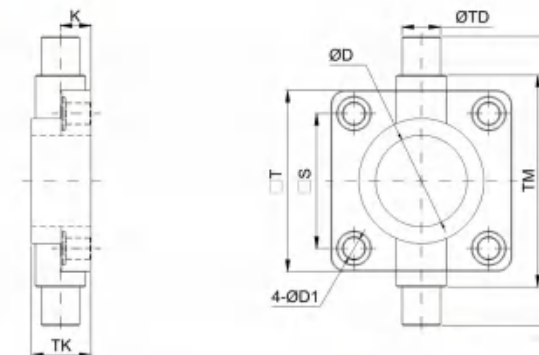
DNG32-320 TC CENTRE TRUNNION  
中间摆轴



Material: Nodular Cast Iron  
材料: 球墨铸铁

Φ[MM]	TB max	TM h14	TL h14	TS ±0.3	TK max	ØTD e9	ØD (0,+0.5)	M	UW max
32	74	50	12	32.5	25	12	37.5	M6	65
40	95	63	16	38	28	16	45.5	M6	75
50	107	75	16	46.5	28	16	55.5	M8	95
63	130	90	20	56.5	36	20	68.5	M8	105
80	150	110	20	72	36	20	86.5	M10	130
100	182	132	25	89	48	25	106.5	M10	145
125	210	160	25	110	50	25	133.5	M12	175
160	264	200	32	140	50	32	171	M16	220
200	314	250	32	175	50	32	211	M16	260
250	400	320	40	220	60	40	263	M20	320
320	500	400	50	270	70	50	337	M24	400

DNG32-200 FTC FRONT CENTRE TRUNNION  
前摆轴



Material: Nodular Cast Iron  
材料: 球墨铸铁

Φ[MM]	TB max	TM h14	T	S	TK max	ØTD e9	ØD (0,+0.5)	ØD1	K
32	74	50	46	32.5	19	12	31	6.5	10
40	95	63	52	38	21	16	36	6.5	10
50	107	75	64	46.5	26	16	41	8.5	12
63	130	90	74	56.5	28	20	46	8.5	12
80	150	110	94	72	31	20	48	10.5	16
100	182	132	114	89	35	25	56	10.5	16
125	210	160	139	110	43	25	64	12.5	20
160	264	200	179	140	56	32	66	16.5	20
200	314	250	218	175	64	32	76	16.5	20

PART

2

ISO21287 Series

CYLINDER COVERS MOUNTING PARTS

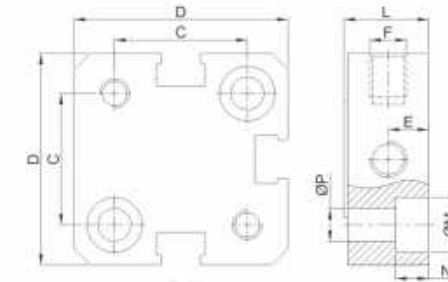
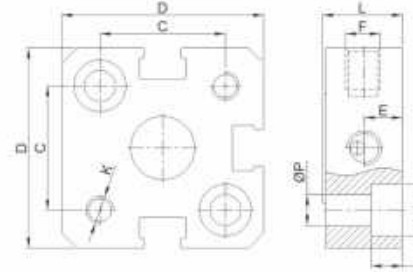
主要产品

- 气缸端盖
- 气缸附件

ADN 12-25 Cylinder Cover  
气缸端盖



Material: 6061-T6  
材质: 铝型材

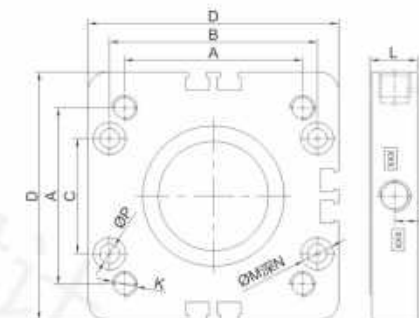
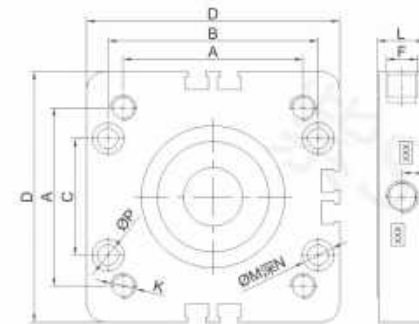


Ø(MM)	C	D	E	F	K	L	ØM	N	OP
12	16	27.5	5	M5	2-M4	11.5	2-Ø7.5	4.5	2-Ø4.5
16	18	29	5.5	M5	2-M4	11.5	2-Ø7.5	4.5	2-Ø4.5
20	22	35.5	6	M5	2-M5	12.5	2-Ø9	5.5	2-Ø5.5
25	26	39.5	6	M5	2-M5	13.5	2-Ø9	5.5	2-Ø5.5

ADN 32-100 Cylinder Cover  
气缸端盖

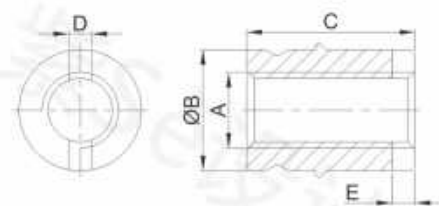


Material: ADC12 Die Casting  
材质: ADC12 铝压铸



Ø(MM)	A	B	C	D	E	F	K	L	ØM	N	OP
32	32.5	38	17	47.5	7.8	G 1/8	4-M6	15.5	4-Ø7.5	4.5	4-Ø4.5
40	38	45	21	56.5	7.2	G 1/8	4-M6	15.25	4-Ø9	5.5	4-Ø5.5
50	46.5	54	27	66.5	7.2	G 1/8	4-M8	15.25	4-Ø10.3	6.5	4-Ø6.2
63	56.5	66	37	79.5	7.2	G 1/8	4-M8	15	4-Ø10.3	6.5	4-Ø6.5
80	72	84	47	100	8.5	G 1/8	4-M10	16.5	4-Ø13.3	8.5	4-Ø8.5
100	89	101	60	120	10	G 1/4	4-M10	20.5	4-Ø16.2	10.5	4-Ø10.5

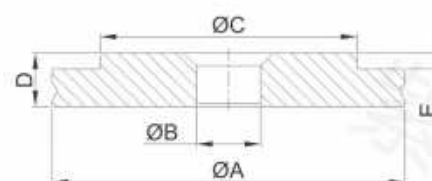
ADN 12-25 Cylinder Piston  
气缸活塞



Material: 12-25 6061-T6  
材质: 铝型材

Ø[MM]	A	ØB	C	D	E
12	M4	6	8	1.5	1.5
16	M5	8	11	1.5	1.5
20	M6	10	13	1.5	1.5
25	M6	10	13	1.5	1.5

ADN 32-100 Cylinder Piston  
气缸活塞



Material: 32-100 ADC12 Die Casting  
材质: ADC12 铝压铸

Ø[MM]	ØA	B	C	D	E
32	26	8	16	5.4	2.5
40	34	8	20	6	2.5
50	43	10	22	6	2.5
63	55	10	40	8.4	2.5
80	72	14	58	9.4	2.5
100	90	14	77	10.9	2.5

CYLINDER  
COVERS  
MOUNTING  
PARTS

PART

3

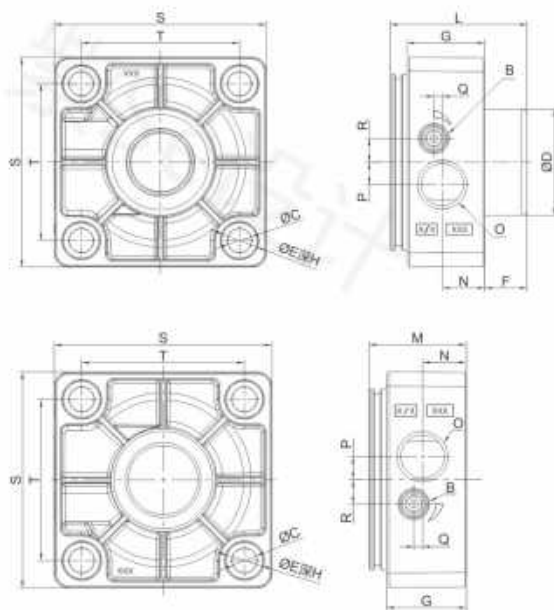
ISO6430 Series

主要产品

- 气缸端盖
- 气缸附件

NSC 32-250 Cylinder Cover  
气缸端盖

ISO6430 Series



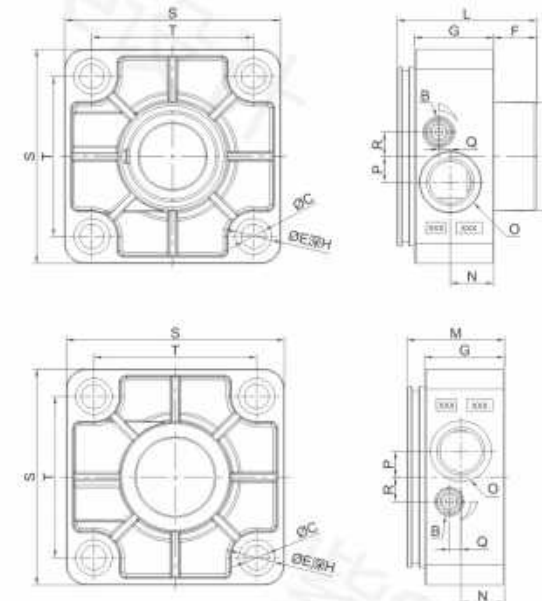
Material: ADC12 Die Casting  
材质: ADC12 铝压铸

Ø(MM)	S	T	C	E	H	L	M	N	F	P	R	Q	ØD	M	G	B
32	45	33	6.5	9.5	22.5	48.5	13	15	4	6.5	G 1/8	6.5	28	33.5	27.5	M6*0.75
40	50	37	6.5	9.5	22.5	48.5	14	15	6	8.8	G 1/4	5	32	33.5	27.5	M6*0.75
50	62	47	6.5	9.5	22.5	48.5	15	15	7	10	G 1/4	4	38	33.5	27.5	M6*0.75
63	75	56	8.5	12.5	22.5	48.5	15	15	8	8.5	G 3/8	3	38	33.5	27.5	M6*0.75
80	94	70	10.5	15.5	25.5	60	17	21	10	14	G 3/8	7	47	39	33	M6*0.75
100	112	84	10.5	15.5	25.5	60	17	21	11	14	G 1/2	6.5	47	39	33	M6*0.75
125	136	104	12.3	20.6	30.5	65.5	20	28	14	14	G 1/2	6.5	52	45.5	38	M10*1
160	174	134	16.5	25	30.5	73	20	25	15	15	G 3/4	5	62	48	38	M10*1
200	214	163	16.5	25	30.5	78	20	30	15	15	G 3/4	3	62	48	38	M10*1
250	267	202	21	33	38	95	25.5	35	22	22	G 1	8.5	86	60	48	M14*1.5

Website: www.bangye-auto.com

SCE 32-100 Cylinder Cover  
气缸端盖

ISO6430 Series



Material: ADC12 Die Casting  
材质: ADC12 铝压铸

Ø(MM)	S	T	C	E	H	L	M	N	F	P	R	Q	ØD	M	G	B
32	45	33	6.5	9.5	22.5	48.5	12.8	15	4	6.5	G 1/8	8	28	33.5	27.5	M6*0.75
40	50	37	6.5	9.5	22.5	48.5	14.5	15	6	8.5	G 1/4	5	32	33.5	27.5	M6*0.75
50	62	47	6.5	9.5	22.5	48.5	15	15	8	9	G 1/4	4	38	33.5	27.5	M6*0.75
63	75	56	8.5	12.5	22.5	48.5	15	15	9	8.5	G 3/8	4	38	33.5	27.5	M6*0.75
80	94	70	10.5	15.5	25.5	60	17	21	10	14	G 3/8	7	47	39	33	M6*0.75
100	112	84	10.5	15.5	25.5	60	17	21	11	14	G 1/2	7	47	39	33	M6*0.75

NSC/SCE 32-100 Cylinder Piston  
气缸活塞



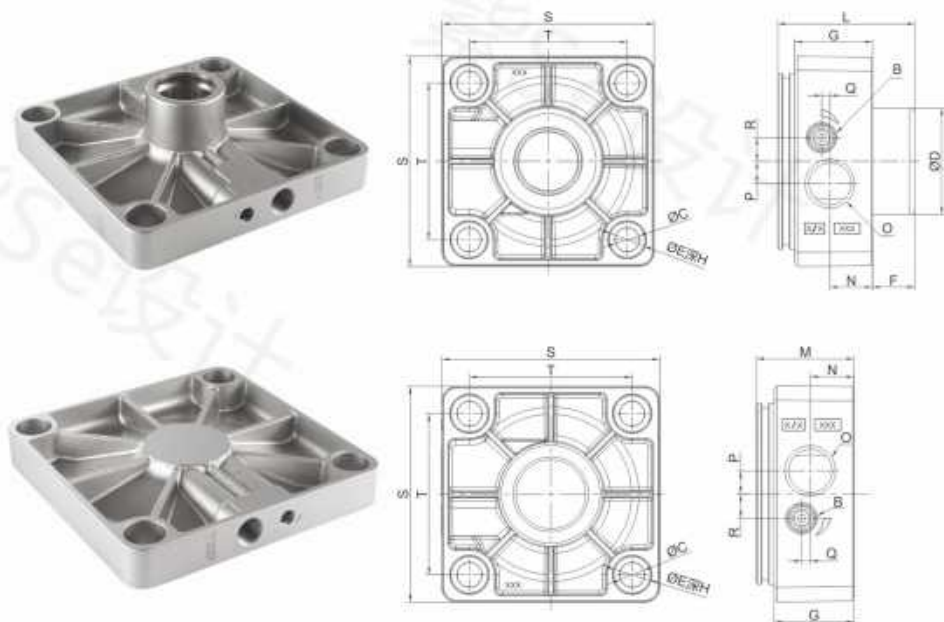
Material: ADC12 Die Casting  
材质: ADC12 铝压铸

Ø(MM)	ØD	ØE	ØF	E	F	ØG
32	16	12	8	26	66	31.5
40	20	16	10	26	72	39.5
50	28	20	12	26	74	49.5
63	28	20	12	29	77	62.5
80	35	25	16	30	90	79.5
100	35	25	16	36	96	99.5

E-mail: info@bangye-auto.com

SC 300 Cylinder Cover  
气缸端盖

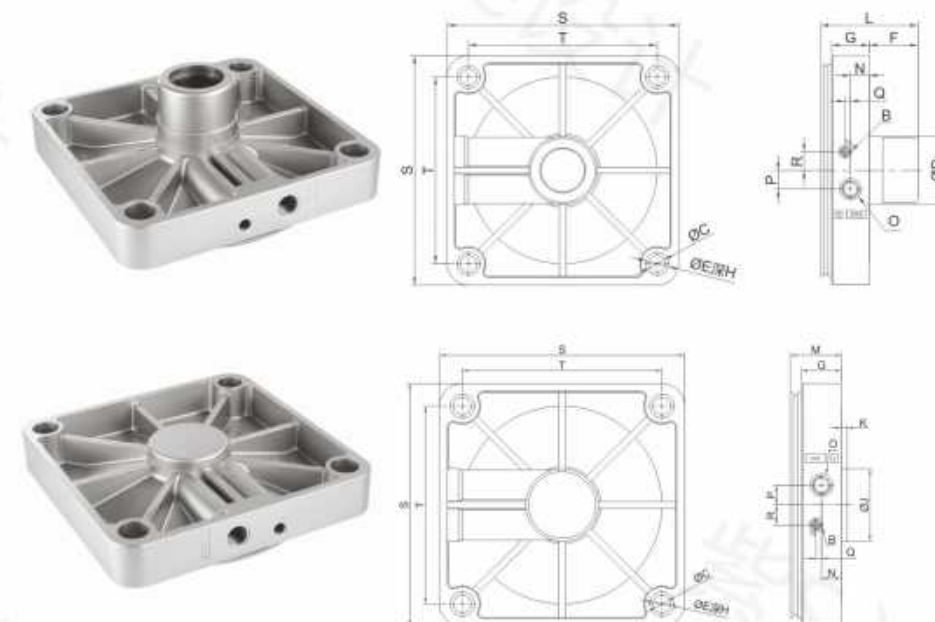
SC 400 Cylinder Cover  
气缸端盖



Material: A356 Alu Low pressure Casting

材质: A356 低压铸造

Φ[MM]	S	T	C	E	H	L	N	F	P	R	Q	Q	ØD	M	G	B
300	330	270	31	43	36	121	24	60	25	25	61	0	96	61	49	M14*1.5



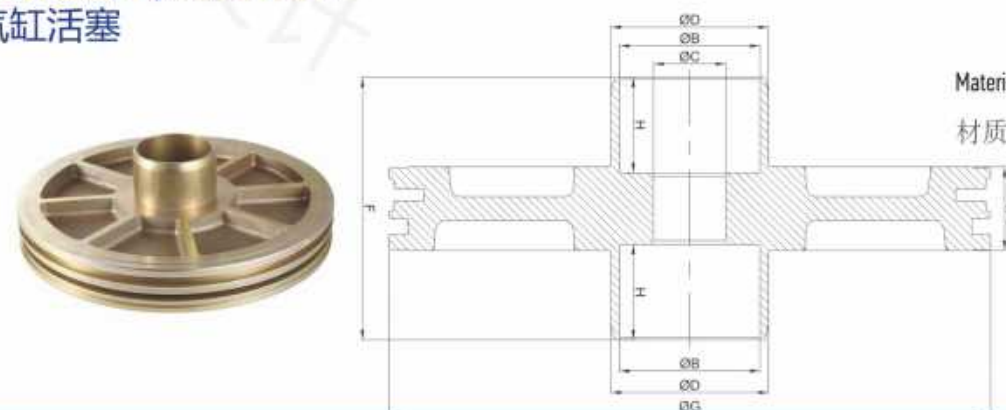
Material: A356 Alu Low pressure Casting

材质: A356 低压铸造

Φ[MM]	S	T	C	E	H	L	N	F	P	R	Q	Q	ØD	M	G	B	K	ØJ
400	430	350	31	43	45	180	35	90	35	35	61	10	128	100	70	M14*1.5	10	128

SC 125-300 Cylinder Piston  
气缸活塞

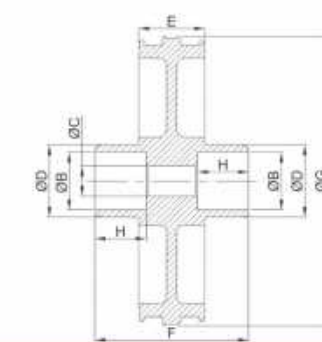
SC 400 Cylinder Piston  
气缸活塞



Material: ADC12 Die Casting

材质: ADC12 铝压铸

Φ[MM]	ØD	ØB	ØC	E	F	ØG	H
125	40	32	20	24	84	124.5	32
160	50	40	24	30	94	159.5	36
200	50	40	24	30	100	199.5	37
250	57	50	30	33	113	249.5	42
300	78.5	70	36	42	132	299.5	48

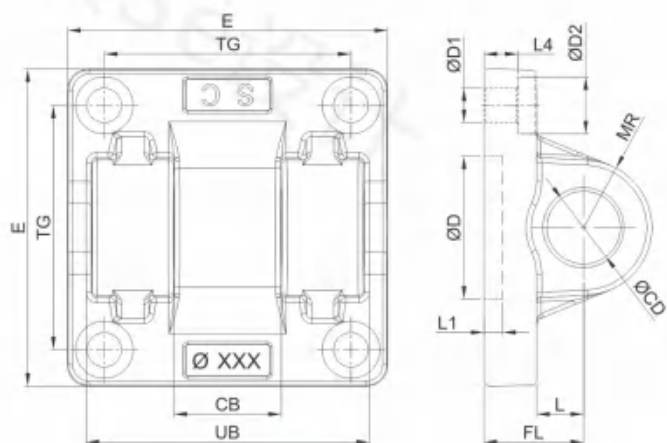


Material: A356 Alu Low pressure Casting

材质: A356 低压铸造

Φ[MM]	ØD	ØB	ØC	E	F	ØG	H
400	99	80	42	90	210	399.2	70

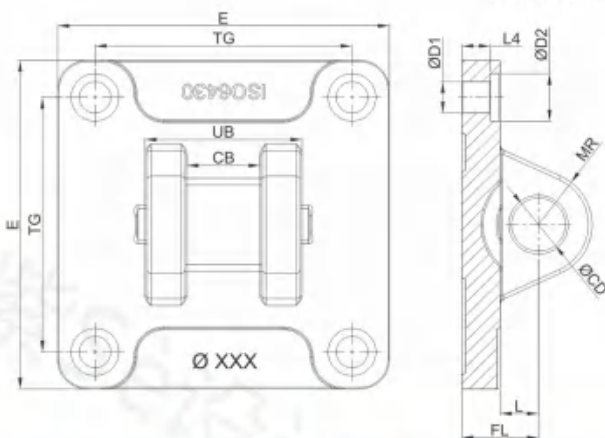
NSC 32-100 CB Female Clevis  
双耳座



Material: ADC12 Die Casting  
材质: ADC12 铝压铸

Φ[MM]	TG	E	CB	UB	L	L4	ØD1	ØD2	ØD	ØCD	L1	FL	MR
32	33	45	16.3	32	10	5.5	6.6	10.5	29	12	4.5	19	11.5
40	37	49.5	20.3	44	10	5.5	6.6	10.5	33	14	4.5	19	12.5
50	47	61	20.3	52	9	6.5	6.6	11	39	14	4.2	19	13
63	56	74	20.3	52	9	6.5	9	15	39	14	4.2	19	13
80	80	93	32.3	64	18	10	11	18	48	20	4.5	32	17.5
100	84	111	32.3	64	18	10	11	18	48	20	4.5	32	18

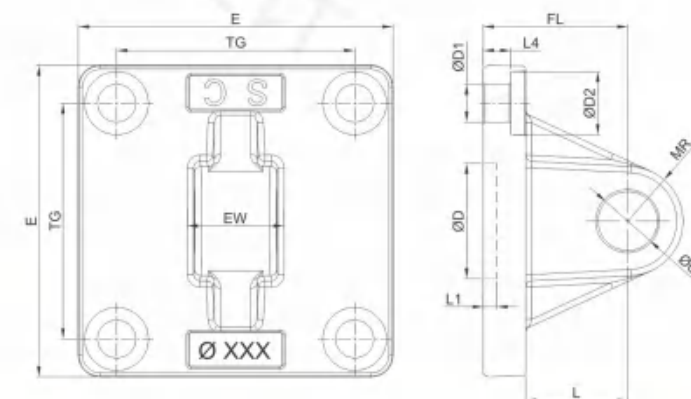
NSC 125-250 CB Female Clevis  
双耳座



Material:  
125-200 CB: ADC12 Die Casting  
250 CB: A356 Alu Low pressure Casting  
材质:  
125-200 CB: ADC12 铝压铸  
250 CB: A356 铝 低压铸造

Φ[MM]	TG	E	CB	UB	L	L4	ØD1	ØD2	ØCD	FL	MR
125	104	135	32	64	14	13	12.5	20.6	20.5	32	20
160	134	173	40	80	20	15	16.5	25	28	40	30
200	163	213	40	80	37	18	16.5	25	28	60	30
250	202	266	50	100	46	19	21	33	36	70	36

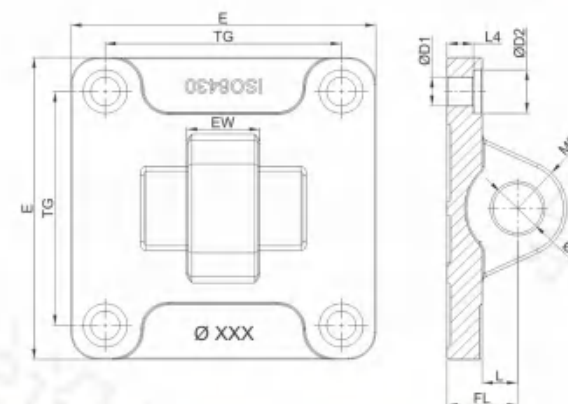
NSC 32-100 CA Male Clevis  
单耳座



Material: ADC12 Die Casting  
材质: ADC12 铝压铸

Φ[MM]	TG	E	EW	L	L4	ØD1	ØD2	ØD	ØCD	L1	FL	MR
32	33	45	16	25	5.5	6.6	10.5	29	12	4.5	34	11.5
40	37	49.5	20	25	5.5	6.6	10.5	33	14	4.5	34	12.5
50	47	61	20	24	6.5	6.6	11	39	14	4.5	34	13
63	56	74	19.8	24	6.5	9	15	39	14	4.5	34	13
80	70	93	31.8	34	10	11	18	48	20	4.5	48	17.5
100	84	111	31.8	34	10	11	18	48	20	4.5	48	18

NSC 125-250 CA Male Clevis  
单耳座

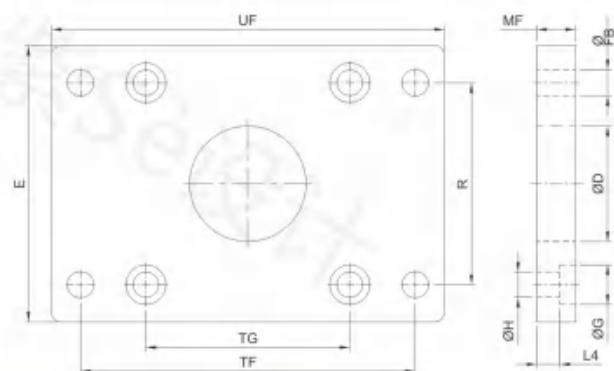


Material: 125-200 CA: ADC12 Die Casting  
250 CA: A356 Low pressure Casting  
材质: 125-200 CA: ADC12 铝压铸  
250 CA: A356 铝 低压铸造

Φ[MM]	TG	E	EW	L	L4	ØD1	ØD2	ØCD	FL	MR
125	104	135	32	14	13	12.5	20.5	20	32	20
160	134	173	40	20	15	16.5	25	28	40	28
200	163	213	40	37	18	16.5	25	28	60	30
250	202	266	50	46	19	21	33	36	70	36

SC 32-250 FA/FB Flange  
法兰板

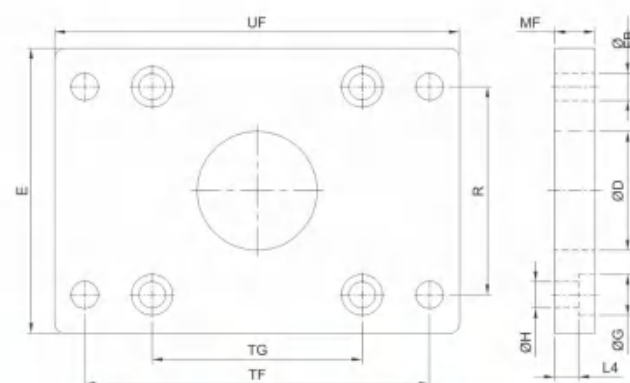
Material: Casting Steel  
材质: 铸铁



Φ[MM]	R	E	TG	TF	UF	ØFB	ØG	ØH	L4	MF	ØD
32	33	47	33	58	72	7	10.5	6.5	3.5	10	29
40	36	53	37	70	84	7	10.5	6.5	3.5	10	33
50	47	65	47	86	104	9	10.5	6.5	3.5	10	39
63	56	75	56	98	116	9	13.5	8.5	2.5	11	39
80	70	95	70	119	143	11	16.5	10.5	5.5	16	48
100	84	115	84	138	162	11	16.5	10.5	5.5	16	48
125	104	135	104	168	196	14	19	13	7	20	53
160	134	173	134	212	248	18	25	17	10.5	20	63
200	163	213	163	250	286	18	25	17	15.5	25	63
250	201	255	202	312	356	22	31	21	13	25	87

SC 32-200 FA/FB Flange  
法兰板

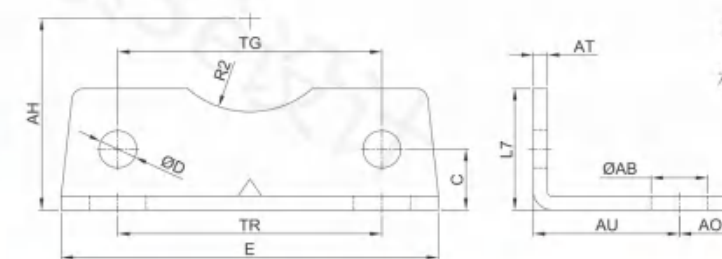
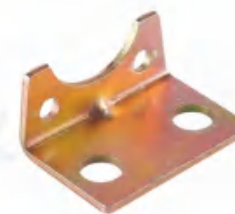
Material: ADC12 Die Casting  
材质: ADC12 铝压铸



Φ[MM]	R	E	TG	TF	UF	ØFB	ØG	ØH	L4	MF	ØD
32	33	47	33	58	72	7	10.5	6.5	5.5	10	29.1
40	36	52	37	70	84	7	10.5	6.5	5.5	10	33.1
50	47	65	47	86	104	9	10.5	6.5	5.5	10	39.1
63	56	75	56	98	116	9	13.5	8.5	6.5	12	38.4
80	70	95	70	119	143	11	16.5	10.5	9	16	48
100	84	115	84	138	162	11	16.5	10.5	9	16	48
125	104	135	104	168	196	14	19	13	12	20	53
160	134	173	134	212	248	18	25	17	10.5	20	63
200	163	213	163	250	286	18	25	17	15.5	25	63

SC32-100 LB Foot Mounting  
脚架

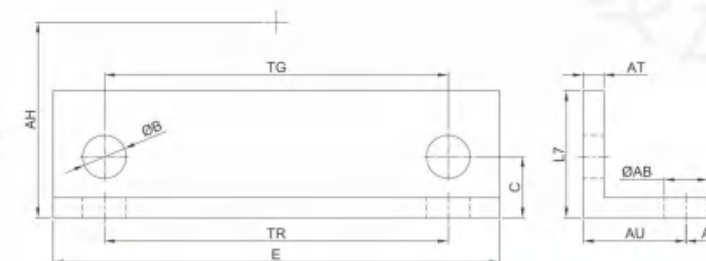
Material: Steel with Zinc Plating  
材质: A3 钢



Φ[MM]	TR	AH	C	ØD	TG	E	AT	L7	ØAB	A0	AU	R2
32	33	28	13	7	33	50	3.2	20	9	9.5	20.5	15
40	36	30	12.5	7	37	57	3.2	21	12	14.5	23.5	17
50	47	36.5	13.5	7	47	68	3	23	12	12	28	20
63	56	41	14	9	56	80	3	26	12	13	31	20
80	70	49	16	11	70	97	4	30	14	16	30	25
100	84	72	16.5	14	84	112	4	30	14	18	30	25

SC125-200 LB Foot Mounting  
脚架

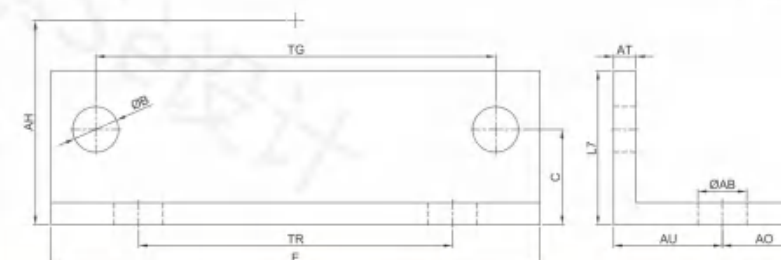
Material: Steel with Zinc Plating  
材质: A3 钢



Φ[MM]	TR	ØB	C	TG	E	AT	L7	ØAB	AU	A0	AH
125	104	13	18	104	136	6	40	17	35	18	70
160	134	17	24	134	174	8	50	17	40	20	91
200	163	17	32	163	214	9	60	22	50	25	113.5

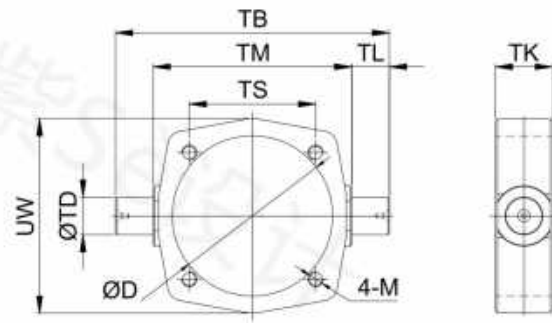
SC250-400 LB Foot Mounting  
脚架

Material: Steel with Zinc Plating  
材质: A3 钢



Φ[MM]	TR	ØB	C	TG	E	AT	L7	ØAB	AU	A0	AH
250	201	21	40	202	267	15	70	26	60	25	161
300	212	31	65	270	330	15	105	33	90	40	200
400	350	31	110	350	430	20	150	33	115	40	285

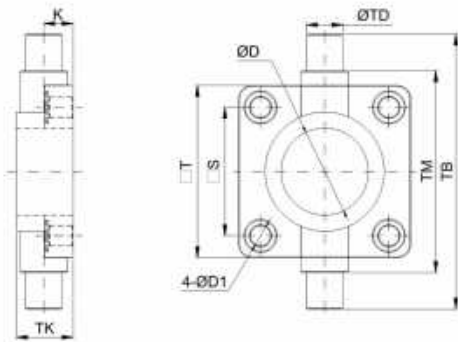
NSC 32-250 TC CENTRE TRUNNION  
中间摆轴



Material: Nodular Cast Iron  
材料: 球墨铸铁

Φ(MM)	TB max	TM h14	TL h14	TS ±0.3	TK max	ØTD e9	ΦD (0,+0.5)	M	UW max
32	87	55	16	33	22	16	37.5	M6	50
40	113	63	25	37	28	25	45.5	M6	58
50	126	76	25	47	28	25	55.5	M6	72
63	138	88	25	56	30	25	68.5	M8	87
80	164	114	25	70	32	25	86.5	M10	103
100	182	132	25	84	38	25	106.5	M10	129
125	208	158	25	104	40	25	133.5	M12	158
160	272	200	36	134	46	36	171	M16	198
200	318	246	36	163	46	36	211	M16	239
250	394	304	45	202	56	45	263	M20	295

NSC 32-160 FTC FRONT CENTRE TRUNNION  
前摆轴



Material: Nodular Cast Iron  
材料: 球墨铸铁

Φ(MM)	TB max	TM h14	T	S	TK max	ØTD e9	ΦD (0,+0.5)	ØD1	K
32	74	50	46	33	19	12	31	6.5	10
40	95	63	52	37	21	16	36	6.5	10
50	107	75	64	47	26	16	41	6.5	12
63	130	90	74	56	28	20	46	8.5	12
80	150	110	94	70	31	20	48	10.5	16
100	182	132	114	84	35	25	56	10.5	16
125	210	160	139	104	43	25	64	12.5	20
160	264	200	179	134	56	32	66	16.5	20

CYLINDER  
COVERS  
MOUNTING  
PARTS

PART 4 JIS Series

- 主要产品
- 气缸端盖
  - 气缸附件



MB 32-200 Cylinder Cover  
气缸端盖

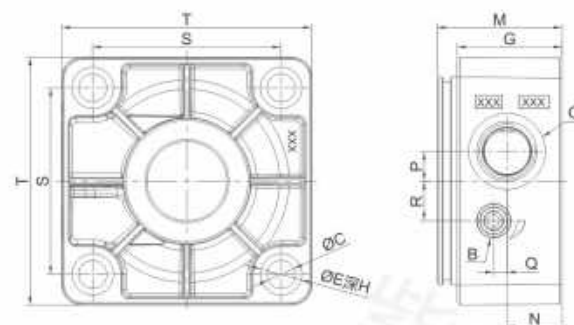
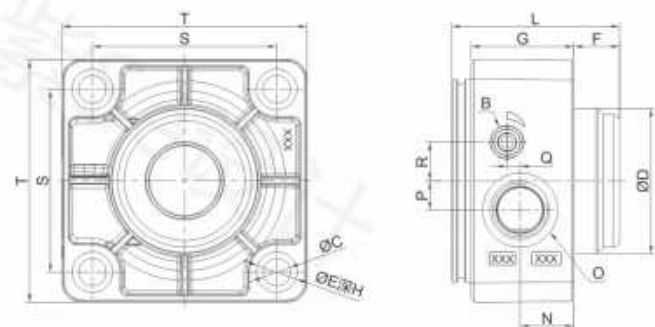
Material: ADC12 Die Casting

材质: ADC12 铝压铸

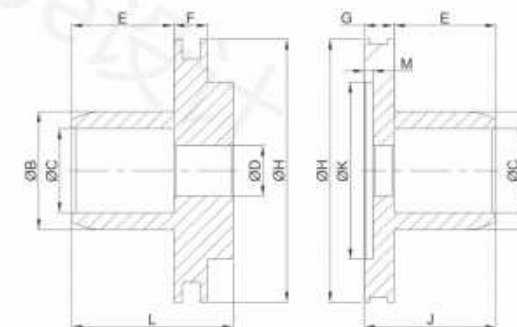
MB 32-100 Cylinder Piston  
气缸活塞

Material: ADC12 Die Casting

材质: ADC12 铝压铸



Φ[MM]	S	T	C	E	H	L	N	F	P	R	O	Q	ØD	M	G	B
32	32.5	44	6.5	9.2	22.5	46	12	13	4	6.5	G 1/8	5.5	29.5	33	27	M6*0.75
40	38	52	6.5	9.2	22.5	46	14	13	4	9	G 1/4	5.5	34.5	33	27	M6*0.75
50	46.5	65	8.5	12.5	22.5	51.5	15.5	14	5	10.5	G 1/4	6.7	39.5	37.5	31.5	M6*0.75
63	56.5	75	8.5	12.5	22.5	51.5	16.5	14	9	12	G 3/8	4	45	37.5	31.5	M6*0.75
80	72	95	10.7	15.5	25.5	64	19	20	11.5	14	G 3/8	7	44	44	38	M6*0.75
100	89	114	10.5	15.5	25.5	64	19	20	17	15	G 1/2	7	56	44	38	M6*0.75
125	110	140	13	19	26	72	22	24.5	14	14	G 1/2	6	61	47.5	40	M10*1
160	140	180	16.5	25	36	100	26	38	20	20	G 3/4	10	66	62	50	M10*1
200	175	220	16.5	25	36	100	26	38	20	20	G 3/4	12	76	62	50	M10*1

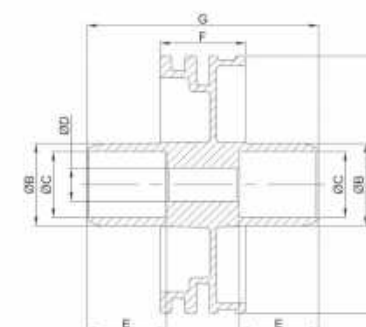


Φ[MM]	ØB	ØC	ØD	E	F	G	ØH	J	ØK	L	M
32	16	12	8	20	7	7	31.5	27	21	32.5	1.5
40	20	16	10	20	7	7	39.5	27	24	33	2
50	28	20	12	24	8	7	49.5	31	32	37.5	1.5
63	28	20	12	24	8	7	62.5	31	42	38	2
80	35	25	16	30	11	11	79.5	41	58	47	2
100	35	25	16	32	11	11	99.5	43	78	48.5	1.5

MB 125-200 Cylinder Piston  
气缸活塞

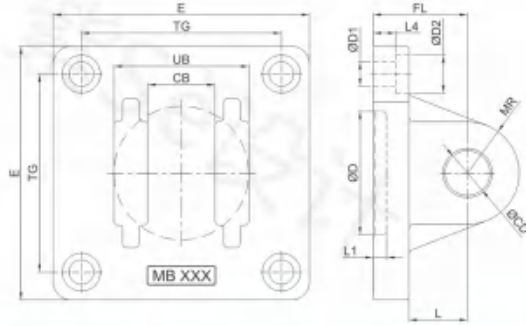
Material: ADC12 Die Casting

材质: ADC12 铝压铸



Φ[MM]	ØB	ØC	ØD	E	F	G	ØH
125	40	32	16	38	41	111	124.5
160	50	40	16.5	36	50	122	159.5
200	50	40	16.5	46	50	122	199.5

**MB 32-200 CB Female Clevis**  
双耳座

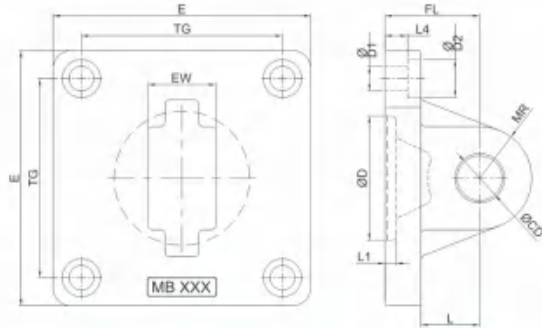


Material: ADC12 Die Casting

材质: ADC12 铝压铸

Φ[MM]	E	TG	UB	CB	L	L4	ΦD2	ΦD1	ΦD	ΦCD	FL	L1	MR
32	46	32.5	28	14	13	6	10.5	6.5	30.5	10	23	4.5	10.5
40	52	38	28	14	13	6	10.5	6.5	35.5	10	23	4.5	11
50	65	46.5	40	20	17	8	14	9	40.5	14	30	4.5	15
63	75	56.5	40	20	17	8	14	9	46.5	14	30	4.5	15
80	95	72	60	30	26	11	17	11	50.5	22	42	4.5	23
100	114	89	60	30	26	11	17	11	55.5	22	42	4.5	23
125	140	110	130	70	30	10	20	14	60	25	50	7	25
160	180	140	169	90	35	10	26	18	65	30	55	8	25
200	220	175	169	90	35	11	26	18	75	30	60	10	25

**MB 32-200 CA Male Clevis**  
单耳座

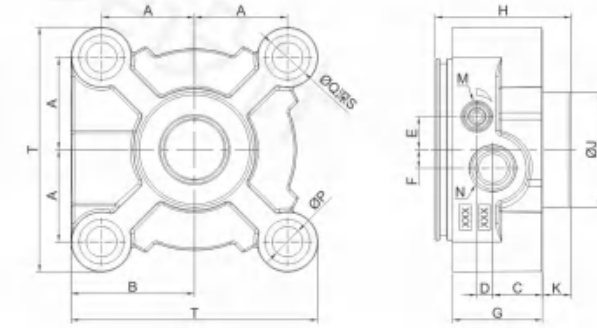


Material: ADC12 Die Casting

材质: ADC12 铝压铸

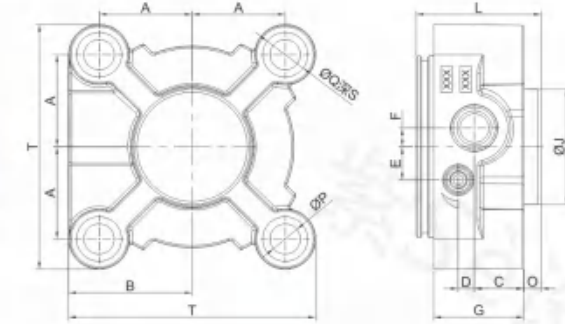
Φ[MM]	E	TG	EW	L	L4	ΦD2	ΦD1	ΦD	ΦCD	FL	L1	MR
32	46	32.5	14	13	6	10.5	6.5	30.5	10	23	4.5	10.5
40	52	38	14	13	6	10.5	6.5	35.5	10	23	4.5	11
50	65	46.5	20	17	8	14	9	40.5	14	30	4.5	15
63	75	56.5	20	17	8	14	9	46.5	14	30	4.5	15
80	95	72	30	26	10	17	11	50.5	22	42	4.5	23
100	114	89	30	26	11	17	11	55.5	22	42	4.5	23
125	140	110	70	30	10	20	14	60	25	50	7	25
160	180	140	90	35	10	26	18	65	30	55	8	25
200	220	175	90	35	11	26	18	75	30	60	10	25

**CA2 40-100 Cylinder Cover**  
气缸端盖



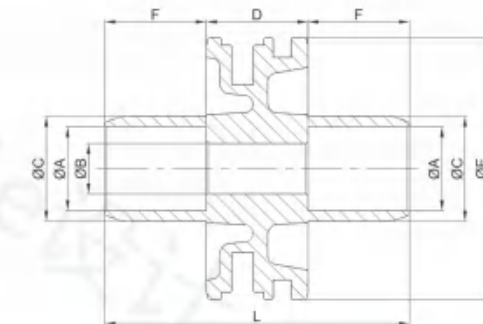
Material: ADC12 Die Casting

材质: ADC12 铝压铸



Φ[MM]	A	B	C	D	E	F	G	H	ØJ	K	L	M	N	O	ØP	ØQ	S	T
40	22	30	15	4	9.5	5	27	43	32	10	38	M6*0.75	G1/4	5	8.5	12.5	22.5	60
50	26	35	17	4.5	9	6.5	30	45.5	40	10	41.5	M6*0.75	G3/8	6	8.5	12.5	23	70
63	32	42.5	17	5.5	11.5	6.5	31	47	40	10	43	M6*0.75	G3/8	6	10.5	15.5	25.5	85
80	39	51	21	7	13.5	9	37	57	52	14	50	M6*0.75	G1/2	7	12.5	18.5	26	102
100	46	58	21	7	13.5	9	40	60	52	14	54	M6*0.75	G1/2	8	12.5	18.5	26	116

**CA2 40-100 Cylinder Piston**  
气缸活塞



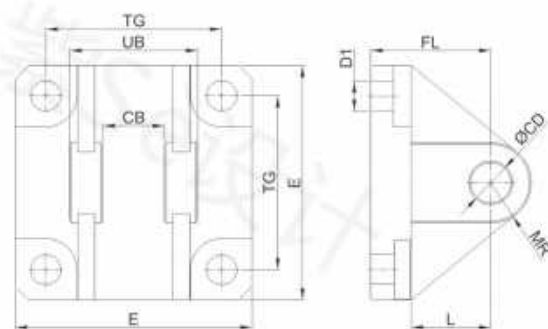
Material: ADC12 Die Casting

材质: ADC12 铝压铸

Φ[MM]	ØA	ØB	ØC	D	E	F	L
40	16	10	20	18	39.5	20	58
50	20	12	25	19	49.5	24	67
63	20	12	25	24	62.5	24	72
80	25	16	30	30	79.5	30	90
100	30	16	35	34	99.5	30	94

CA2 40-100 CB Female Clevis  
双耳座

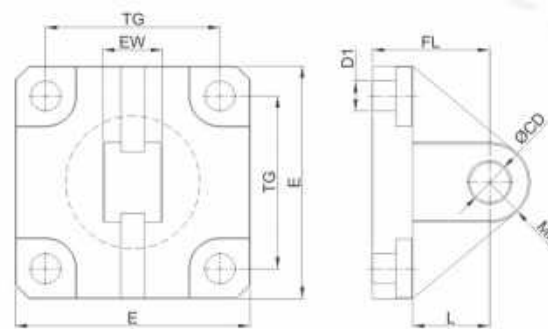
Material: Casting Steel  
材质: 铸铁



Φ[MM]	E	TG	CD	CB	UB	D1	FL	MR	L
40	60	44	10	15	29.5	M8*1.25	30	10	16
50	70	52	12	18	35	M8*1.25	35	12	19
63	85	64	16	25	49	M10*1.25	40	16	23
80	102	78	20	31.5	61	M12*1.75	48	20	28
100	116	92	25	35.5	64	M12*1.75	58	25	36

CA2 40-100 CA Male Clevis  
单耳座

Material: Casting Steel  
材质: 铸铁



Φ[MM]	E	TG	CD	EW	D1	FL	MR	L
40	60	44	10	15	M8*1.25	30	10	16
50	70	52	12	18	M8*1.25	35	12	19
63	85	64	16	25	M10*1.25	40	16	23
80	102	78	20	31.5	M12*1.75	48	20	28
100	116	92	25	35.5	M12*1.75	58	25	36

CYLINDER  
COVERS  
MOUNTING  
PARTS

PART

5

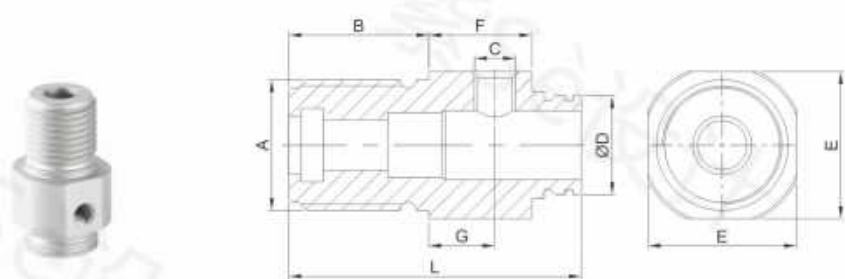
ISO6432 Series

主要产品

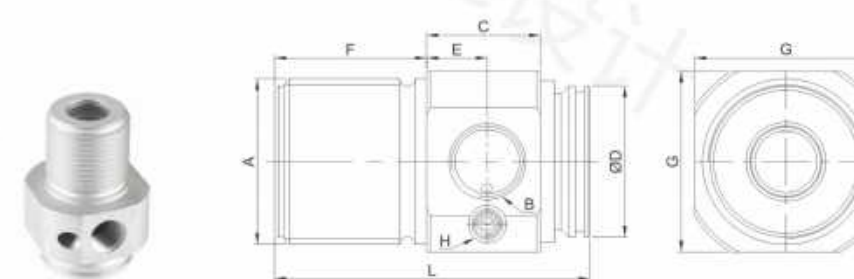
- 气缸端盖
- 气缸附件

MI 8-25 Cylinder Cover  
气缸端盖

MIC 20-25 Cylinder Cover  
气缸端盖



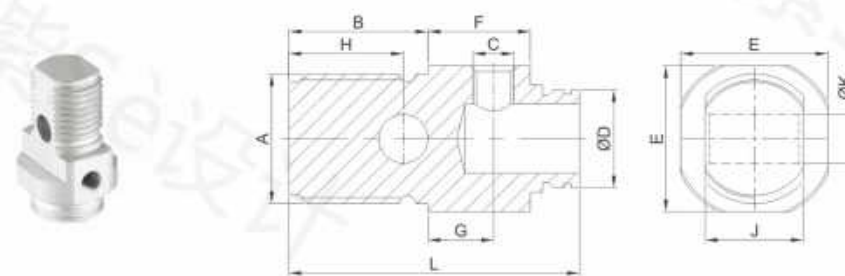
Material: 6061-T6  
材质: 铝型材



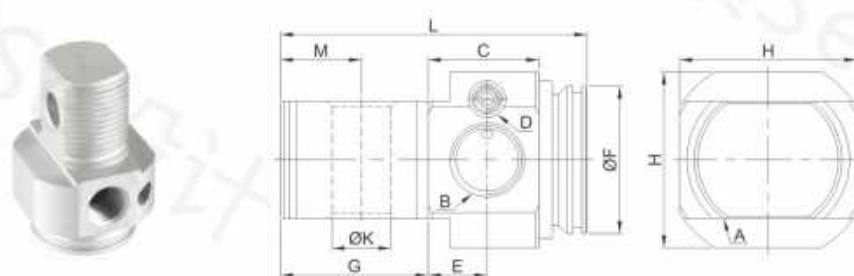
Material: 6061-T6  
材质: 铝型材

Φ[MM]	ØA	B	C	ØD	E	F	G	L
8	M12*1.25	12	M5	8	15	10	6	26.5
10	M12*1.25	12	M5	10	15	10	6	26.5
12	M16*1.5	17	M5	12	18	12.5	8	35.5
16	M16*1.5	17	M5	16	20	12.5	8	35.5
20	M22*1.5	20	G 1/8	20	24	15	8	41.5
25	M22*1.5	22	G 1/8	25	30	15	8	44.5

Φ[MM]	ØA	B	C	ØD	E	F	G	H	L
20	M22*1.5	G 1/8	15	20	8	20	24	M3	41.5
25	M22*1.5	G 1/8	15	25	8	22	30	M3	44.5



Material: 6061-T6  
材质: 铝型材



Material: 6061-T6  
材质: 铝型材

Φ[MM]	ØA	B	C	ØD	E	F	G	H	J	ØK	L
8	M12*1.25	12	M5	8	15	9.5	5	10	8	4	26
10	M12*1.25	12	M5	10	15	9.5	5	10	8	4	26
12	M16*1.5	17	M5	12	18	10.5	6	14	12	6	33.5
16	M16*1.5	17	M5	16	20	10.5	6	13	12	6	33.5
20	M22*1.5	20	G 1/8	20	24	15	8	11	16	8	41.5
25	M22*1.5	22	G 1/8	25	30	15	8	11	16	8	44.5

Φ[MM]	A	B	C	D	E	ØF	G	H	J	ØK	L	M
20	M22*1.5	G 1/8	15	M3	8	20	20	24	16	8	41.5	11
25	M22*1.5	G 1/8	15	M3	8	25	22	30	16	8	44.5	11



Note: MI 8-25 Pistons are available  
备注: MI 8-25 活塞可订购



Note: MIC 20-25 Pistons are available  
备注: MIC 20-25 活塞可订购

MI/MIC 8-25 SDB Cylinder Mounting  
气缸 U 型座

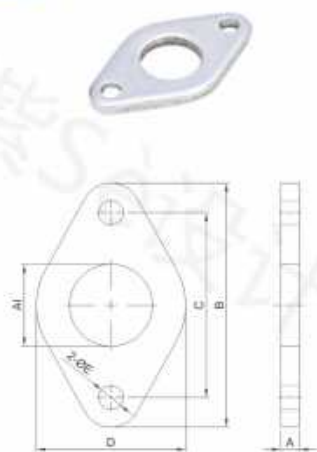


Material: Steel With Zinc Plating

材质: A3 钢镀锌

Ø[MM]	8	10	12	16	20	25
A	8	8	12	12	16	16
B	24	24	27	27	30	30
C	4.5	4.5	5.5	5.5	6.6	6.6
D	13	13	18	18	24	24
E	14	14	13	13	16	16
E1	4	4	6	6	8	8
F	12.5	12.5	15	15	20	20
G	20	20	25	25	32	32
H	2.5	2.5	3	3	4	4

MI/MIC 8-25 FA/FB Flange  
法兰板

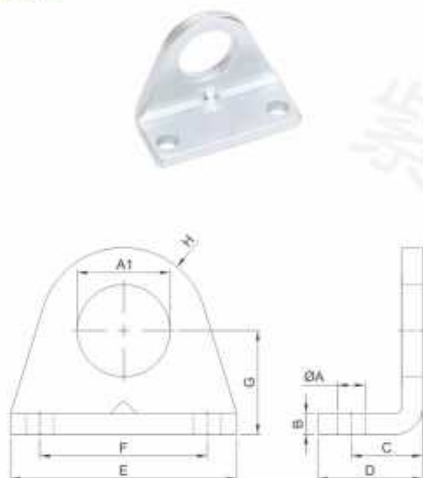


Material: Steel With Zinc Plating

材质: A3 钢镀锌

Ø[MM]	8	10	12	16	20	25
A	3	3	4	4	5	5
A1	12	12	16	16	22	22
B	40	40	53	53	66	66
C	30	30	40	40	50	50
D	25	25	30	30	40	40
E	4.5	4.5	5.5	5.5	6.6	6.6

MI/MIC 8-25 LB Foot Mounting  
脚架



Material: Steel With Zinc Plating

材质: A3 钢镀锌

Ø[MM]	8	10	12	16	20	25
A	4.5	4.5	5.5	5.5	6.6	6.6
A1	12	12	16	16	22	22
B	3	3	4	4	5	5
C	11	11	14	14	17	17
D	16	16	20	20	25	25
E	35	35	42	42	54	54
F	25	25	32	32	40	40
G	16	16	20	20	25	25
H	10	10	13	13	20	20

# CYLINDER COVERS MOUNTING PARTS

## PART

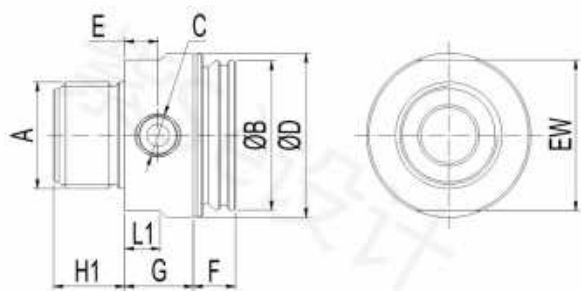
# 6

## MBL Series

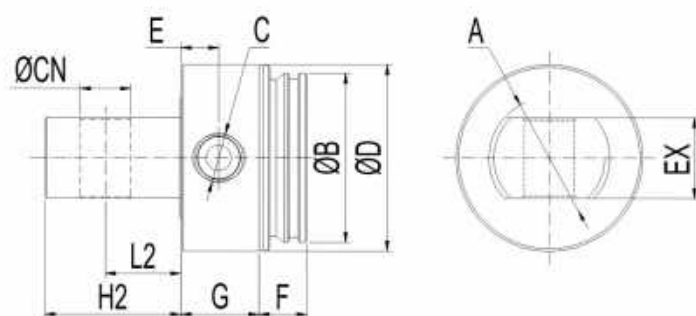
主要产品

- 气缸端盖
- 气缸附件

MBL 20-50 Cylinder Cover  
铝铆压气缸端盖



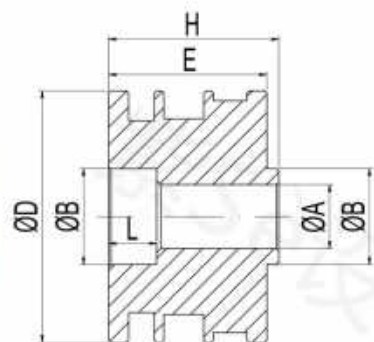
Material: 6061-T6  
材质: 铝型材



Material: 6061-T6  
材质: 铝型材

Φ(MM)	A	ΦB	C	ΦD	E	F	G	H1	H2	L1	L2	ΦCD	EW	EX
20	M22*1.5	21.6	G1/8	27	7.5	9.5	15.5	14	21	8	12	8	24	16
25	M22*1.5	26.6	G1/8	30	7.5	9.5	15.5	14	21	8	12	8	27	16
32	M24*2.0	33.6	G1/8	37	7.5	9.5	15.5	16	27	8	15	10	34	16
40	M30*2.0	41.6	G1/4	45	11	11	22	16	27	11	15	12	42	20
50	M36*2.0	51.6	G1/4	55	11	11	22	20	27	11	15	12	52	20

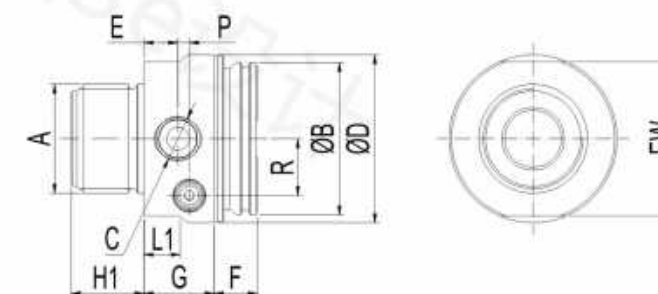
MBL 20-50 Cylinder Piston  
铝铆压气缸活塞



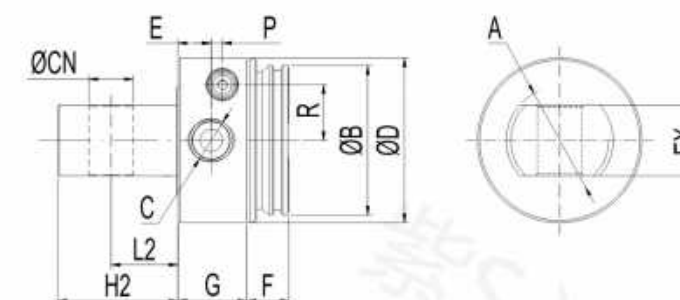
Material: 6061-T6  
材质: 铝型材

Φ(MM)	ΦA	ΦB	ΦD	E	H	L
20	5	8	19.5	20	21.5	6
25	6	10	24.5	20	21.5	6
32	8	12	31.5	20	21.5	6
40	10	16	39.5	26	27.5	6
50	20	16	49.5	26	27.5	6

MBLC 20-50 Cylinder Cover With Cushioning  
带可调缓冲铝铆压气缸端盖



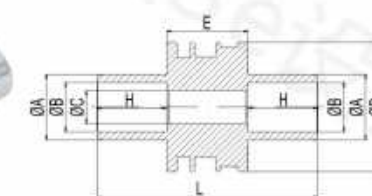
Material: 6061-T6  
材质: 铝型材



Material: 6061-T6  
材质: 铝型材

Φ(MM)	A	ΦB	C	ΦD	E	F	G	H1	H2	L1	L2	P	R	ΦCD	EW	EX
20	M22*1.5	21.6	G1/8	27	7.5	9.5	15.5	14	21	8	12	2.5	8.5	8	24	16
25	M22*1.5	26.6	G1/8	30	7.5	9.5	15.5	14	21	8	12	2.5	9.5	8	27	16
32	M24*2.0	33.6	G1/8	37	7.5	9.5	15.5	16	27	8	15	2.5	10.5	10	34	16
40	M30*2.0	41.6	G1/4	45	11	11	22	16	27	11	15	4	16	12	42	20
50	M36*2.0	51.6	G1/4	55	11	11	22	20	27	11	15	4	19	12	52	20

MBLC 20-50 Cylinder Piston  
铝铆压气缸活塞



Material: 6061-T6  
材质: 铝型材

Φ(MM)	ΦA	ΦB	ΦC	ΦD	E	H	L
20	5	8	5	19.5	20	21.5	6
25	6	10	6	24.5	20	21.5	6
32	8	12	8	31.5	20	21.5	6
40	10	16	10	39.5	26	27.5	6
50	20	16	10	49.5	26	27.5	6

# CYLINDER COVERS MOUNTING PARTS

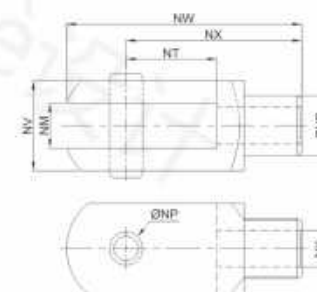
## PART 7

### ROD END ACCESSORIES

主要产品

- Y型接头
- 鱼眼接头
- I型接头
- 浮动接头

#### Y Clevis Y型接头



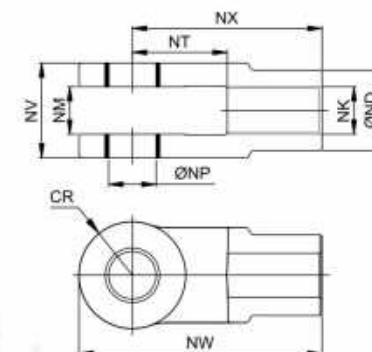
Material: Steel With Nickel Plating  
材质: A3 钢镀镍

Φ(MM)	NK	NP	NT	NM	NV	NW	NX	ND
12/16	M6*1	6	12	6	12	31	24	10
20	M8*1.25	8	16	8	16	42	32	14
25/32	M10*1.25	10	20	10	20	52	40	18
40	M12*1.25	12	24	12	24	62	48	20
50/63	M16*1.5	16	32	16	32	83	64	26
80/100	M20*1.5	20	40	20	40	105	80	34
125	M27*2	30	55	30	55	148	110	42
160/200	M36*2	35	72	35	70	188	144	60
250	M42*2	40	84	40	85	232	168	70
320	M48*2	50	96	50	90	265	192	80

Note: Ø160-320 Y Clevis without Latch

备注: Ø160-320 不带锁扣

#### Y Clevis Y型接头



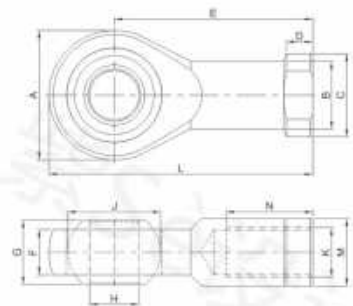
Material: ADC12 Die Casting  
材质: ADC12 铝压铸

Note: With 2 bushes

备注: 含2个含油轴承

Φ(MM)	NK	NX	NV d12	NM	ØNP H9	NW	CR	ØND	NT ±0.5
25/32	M10*1.25	40±0.4	20	10 $\frac{H9}{f9}$	10	52	12	18	20
40	M12*1.25	48±0.4	24	12 $\frac{H9}{f9}$	12	62	14	20	24
50/63	M16*1.5	64±0.4	32	16 $\frac{H9}{f9}$	16	80	16	26	32
80/100	M20*1.5	80±0.4	40	20 $\frac{H9}{f9}$	20	102.5	22.5	34	40
125	M27*2.0	110±0.4	55	30 $\frac{H9}{f9}$	30	139	29	48	54
160/200	M36*2.0	144±0.4	70	35 $\frac{H9}{f9}$	35	179	35	60	72

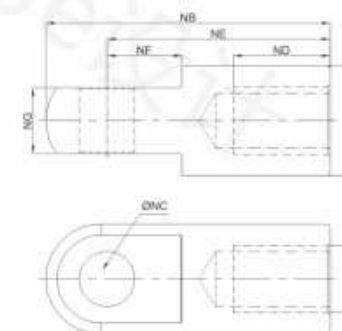
Rod Eye  
鱼眼接头



Material: Steel With Nickel Plating  
材质: A3 钢镀镍

Φ(MM)	A	B	C	D	E	F	G	H	J	K	L	M	N
4	18	8.8	12	4	27	6	8	5	11.11	M4*0.7	36	9	10
5	18	8.5	12	4	27	6	8	5	11.11	M5*0.8	36	9	10
6	20	10	13	5	30	7	9	6	12.7	M6*1	40	11	12
8	24	12.5	16	5	36	9	12	8	15.875	M8*1.25	48	14	16
10	28	15	19	6.5	43	11	14	10	19.05	M10*1.5	58	17	20
10-1	28	15	19	6.5	43	11	14	10	19.05	M10*1.25	58	17	20
1.2	32	17.5	22	6.5	50	12	16	12	22.225	M12*1.75	66	19	22
12-1	32	17.5	22	6.5	50	12	16	12	22.225	M12*1.25	66	19	22
14	36	20	25	8	57	14	19	14	25.4	M14*2	76	22	25
14-1	36	20	25	8	57	14	19	14	25.4	M14*1.5	76	22	25
16	40	22	27	8	64	15	21	16	28.575	M16*2	85	22	28
16-1	40	22	27	8	64	15	21	16	28.575	M16*1.5	85	22	28
18	46	25	31	10	71	17	23	18	31.75	M18*1.5	94	27	30
20	50	27.5	37	10	77	18	25	20	34.925	M20*1.5	102	30	33
22	54	30	37	12	84	20	28	22	38.1	M22*1.5	112	32	33
25	60	33.5	42	12	94	22	31	25	42.85	M24*2	124	36	36
28	66	37	46	14	103	25	35	28	47.6	M27*2	137	41	51
30	70	40	50	15	110	26	37	30	50.8	M30*2	145	41	51
30-1	70	40	50	15	110	26	37	30	50.8	M27*2	145	41	51
35	80	46	56	17	125	28	43	35	57.1	M36*2	165	50	56
40	102	53	69	19	142	35	49	40	66.6	M42*2	187.5	55	60
50	117	65	75	23	160	45	60	50	82.5	M48*2	218.5	65	65

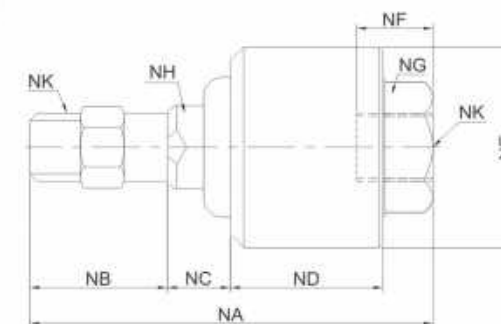
I Clevis  
I型接头



Material: Steel With Nickel Plating  
材质: A3 钢镀镍

Φ(MM)	NK	NA	NB	NC	ND	NE	NF	NG
12/16	M6*1	12	31	6	10	24	12	6
20	M8*1.25	16	40	8	15	30	11	8
25/32	M10*1.25	20	52	10	20	40	15	10
40	M12*1.25	24	67	12	20	48	24	12
50/63	M16*1.5	32	89	16	23	64	32	16
80/100	M20*1.5	40	112	20	30	80	40	20
125	M27*2	55	155	30	55	110	50	30

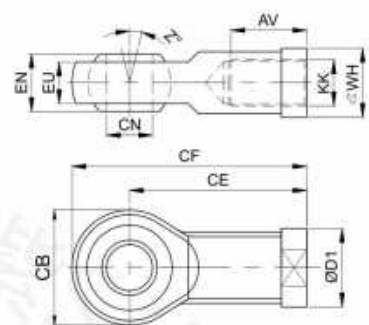
Self-Aligning Rod Coupler  
浮动接头



Material: Q235 Steel  
材质: 低碳钢

Φ(MM)	NK	NA	NB	NC	ND	NE	NF	NG	NH
12/16	M6*1	35	13	5	12	18	8	10	6
20	M8*1.25	53	20	6	18	24	12	13	8
25/32	M10*1.25	58	22	7	21	26	13	17	10
40	M12*1.25	64	22	8	24	32	15	19	12
50/63	M16*1.5	90	27	12	36	45	23	27	17
80/100	M20*1.5	102	32	13	40	53	28	32	22
125	M27*2	120	37	15	48	60	35	41	26

Rod Eye  
鱼眼接头



Material: ADC12 Die Casting  
材质: ADC12铝压铸

Φ(MM)	KK	AV-2	CB±1.0	CE	CF±0.5	CN H7	ØD1	EU	EN	Z°	WH
25/32	M10*1.25	20	28	43	57	10	19	10.5	14	13	17
40	M12*1.25	22	32	50	66	12	22	12	16	13	19
50/63	M16*1.5	28	42	64	85	16	27	15	21	15	22
80/100	M20*1.5	33	50	77	102	20	34	18	25	15	30
125	M27*2.0	51	70	110	145	30	50	25	37	15	41
160/200	M36*2.0	56	80	125	165	35	58	28	43	15	50